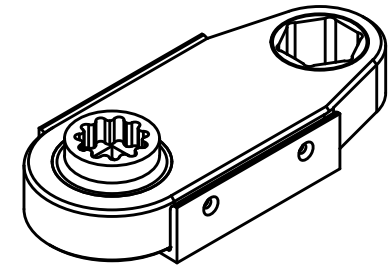
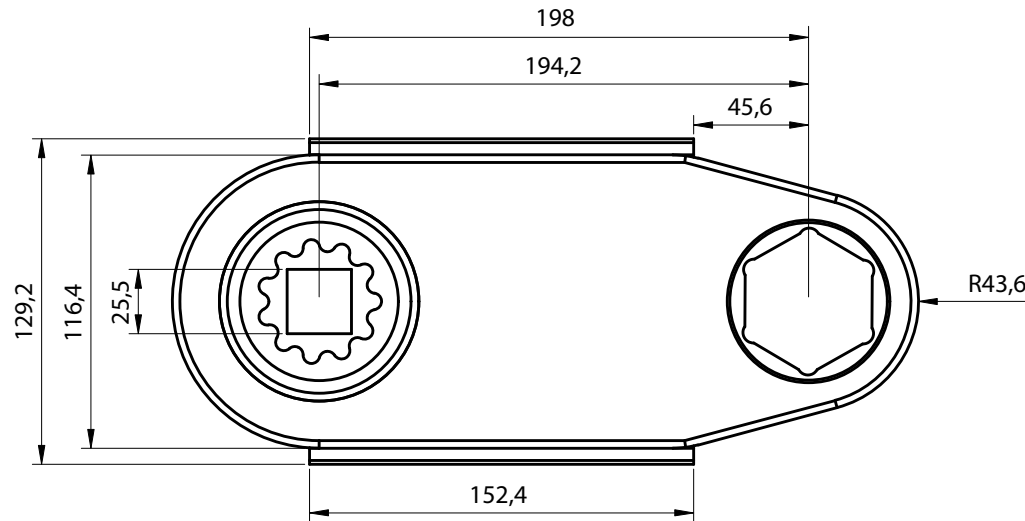
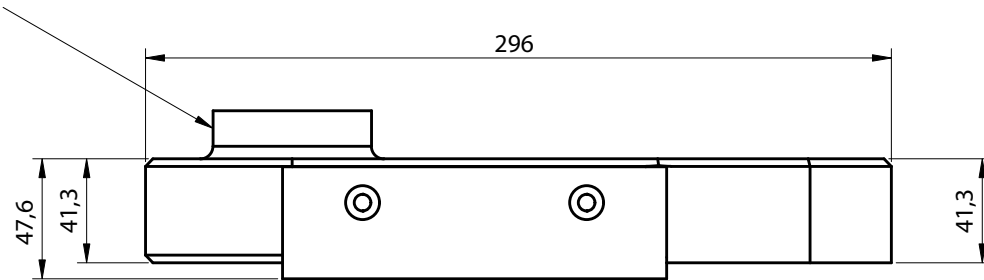


Height varies as different inserts are available



DO NOT SCALE DRAWING

PART NR:  
27978

TITLE:  
CX OFFSET GEARBOX HEX-50mm

UNITS  
mm

PROJ. ANG.  


SIZE  
A4

DRAW/CHECK  
WD/RR

LAST UPDATED  
12-01-2024