

V-RAD SELECT 2000

Part Number: 25634



200 - 2.000 Nm

MAX SPEED 5,7 RPM

DIGITAL TORQUE SETTING

EXTREMELY LIGHT WEIGHT

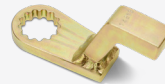
PLUG AND PLAY

SPECIFICATIONS

- **TORQUE RANGE:** 200 - 2.000 Nm
- **SPEED:** 5,7 RPM
- **WEIGHT:** 5,9 Kg, excluding reaction arm and socket
- **SQUARE DRIVE:** 1 inch square drive
- **NOISE LEVEL:** Maximum 80 dB
- **TORQUE SETTING:** 10 Nm incremental or via torque chart in table mode
- **ACCURACY:** 5% on full scale.

SUITABLE REACTION ARMS

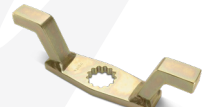
Standard
PN: 14213



Deep socket
PN: 18480



Double ended
PN: 19094



Blank
PN: 17888



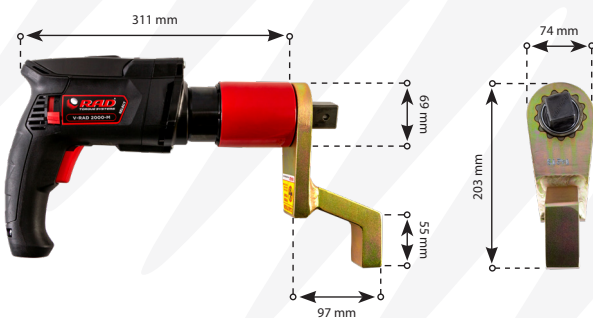
Double ended blank
PN: 19093



Safety sliding
PN: 25242



DIMENSIONS IN MM



TOOL KIT INCLUDING

- V-RAD SELECT 2000
- Standard reaction arm (PN: 14213)
- Two retaining rings (PN: 17367)
- Calibration certificate
- Usermanual
- QR code for Safety instructions
- Weatherproof storage case
- Standard EU Socket.



IMPERIAL VERSION

- **MODEL:** V-RAD SELECT 1500
- **PART NUMBER:** 25629
- **TORQUE RANGE:** 150-1500 ft.lbs
- **WEIGHT:** 12 lbs.



Non Impacting



Safe & Reliable



According to European standards



LABORATORY ACCREDITATION BUREAU ACCREDITED ISO/IEC 17025

Accredited ISO/IEC 17025

ELECTRIC SERIES

Accessories

Swivelling tool handle & hanger

| Prod. Nr. | Suitable for |
|-----------|----------------------------|
| 19827 | V-RAD SELECT 6, 14 & 1400 |
| 19825 | V-RAD SELECT 2000 |
| 19823 | V-RAD SELECT 31, 34 & 3400 |
| 26751 | V-RAD SELECT 4000 |
| 19821 | MV-RAD 45 |
| 26674 | MV-RAD 45 |
| 19819 | MV-RAD 80 |
| 22931 | MV-RAD 110 |
| 19817 | MV-RAD 120 |

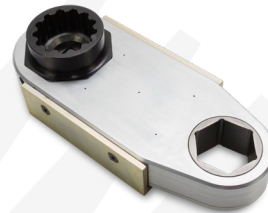


CX Offset Gearboxes

| Prod. Nr. | Model | Max output | Ratio |
|-----------|-----------|------------|-------|
| 27978 | Hex 50 mm | 3400 Nm | 1:1 |
| 28540 | Hex 65 mm | 5000 Nm | 1:1 |

| Prod. Nr. | Suitable for | Gearbox |
|-----------|-------------------|---------|
| 16155 | V-RAD SELECT 1400 | 27978 |
| 26994 | V-RAD SELECT 2000 | 27978 |
| 13034 | V-RAD SELECT 4000 | 27978 |
| 28532 | V-RAD SELECT 4000 | 28540 |

Hex reducer on request.



Impact Sockets

| Prod. Nr. | Hex size | Square drive | Bolt size | Suitable for |
|-----------|----------|--------------|-----------|--------------------------|
| 200190 | 24MM | 3/4" | M16 | V-RAD SELECT 1400 |
| 200210 | 27MM | 3/4" | M18 | V-RAD SELECT 1400 |
| 200211 | 30MM | 3/4" | M20 | V-RAD SELECT 1400 |
| 200212 | 32MM | 3/4" | M22 | V-RAD SELECT 1400 |
| 200004 | 36MM | 3/4" | M24 | V-RAD SELECT 1400 |
| 200215 | 38MM | 3/4" | M24 | V-RAD SELECT 1400 |
| 200005 | 41MM | 3/4" | M27 | V-RAD SELECT 1400 |
| 200006 | 46MM | 3/4" | M30 | V-RAD SELECT 1400 |
| 200216 | 50MM | 3/4" | M33 | V-RAD SELECT 1400 |
| 200227 | 36MM | 1" | M24 | V-RAD SELECT 2000 & 4000 |
| 200229 | 41MM | 1" | M27 | V-RAD SELECT 2000 & 4000 |
| 200230 | 46MM | 1" | M30 | V-RAD SELECT 2000 & 4000 |
| 200007 | 50MM | 1" | M33 | V-RAD SELECT 2000 & 4000 |
| 200008 | 55MM | 1" | M36 | V-RAD SELECT 2000 & 4000 |
| 200009 | 60MM | 1" | M39 | V-RAD SELECT 4000 |



HX Offset Gearboxes

| Prod. Nr. | Model |
|-----------|------------------------------|
| 24404 | HX Offset Gearbox - 55 mm AF |
| 22541 | HX Offset Gearbox - 65 mm AF |
| 16550 | HX Offset Gearbox - 80 mm AF |

Other sizes HX Offset gearboxes are available on request.



Nose extension series

| Prod. Nr. | Model | Reaction arm | Length |
|-----------|-------------------|--------------|--------|
| 14195 | V-RAD SELECT 1400 | 13512 | 324 mm |
| 14200 | V-RAD SELECT 1400 | 13512 | 400 mm |
| 14205 | V-RAD SELECT 1400 | 13512 | 476 mm |
| 18185 | V-RAD SELECT 2000 | 20153 | 349 mm |
| 19058 | V-RAD SELECT 2000 | 20153 | 400 mm |
| 19059 | V-RAD SELECT 2000 | 20153 | 476 mm |
| 27641 | V-RAD SELECT 4000 | 13484 | 305 mm |
| 27643 | V-RAD SELECT 4000 | 13484 | 381 mm |
| 27651 | V-RAD SELECT 4000 | 13484 | 457 mm |



Non Impacting



Safe & Reliable



According to European standards



LABORATORY ACCREDITATION BUREAU ACCREDITED ISO/IEC 17025

Accredited ISO/IEC 17025