

V-RAD SELECT 1400

Part Number: 25633



140 - 1.400 Nm

MAX SPEED 8,8 RPM

DIGITAL TORQUE SETTING

EXTREMELY LIGHT WEIGHT

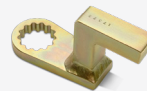
PLUG AND PLAY

SPECIFICATIONS

- **TORQUE RANGE:** 140 - 1.400 Nm
- **SPEED:** 8,8 RPM
- **WEIGHT:** 3,9 Kg, excluding reaction arm and socket
- **SQUARE DRIVE:** ¾ inch square drive
- **NOISE LEVEL:** Maximum 80 dB
- **TORQUE SETTING:** 10 Nm incremental or via torque chart in table mode
- **ACCURACY:** 5% on full scale.

SUITABLE REACTION ARMS

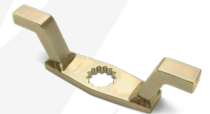
Standard
PN: 13366



Deep socket
PN: 13367



Double ended
PN: 13368



Blank
PN: 13364



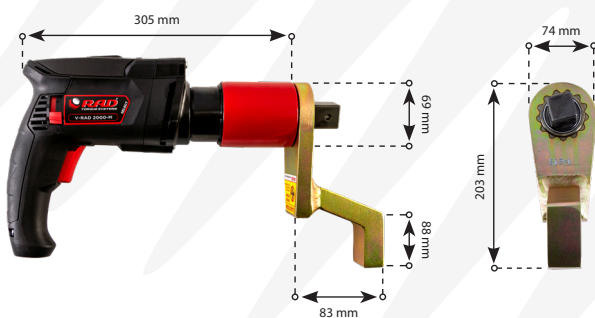
Double ended blank
PN: 13365



Safety sliding
PN: 25243



DIMENSIONS IN MM



TOOL KIT INCLUDING

- V-RAD SELECT 1400
- Standard reaction arm (PN: 13366)
- Two retaining rings (PN: 12733)
- Calibration certificate
- Usermanual
- QR code for Safety instructions
- Weatherproof storage case
- Standard EU Socket.



IMPERIAL VERSION

- **MODEL:** V-RAD SELECT 1000
- **PART NUMBER:** 25628
- **TORQUE RANGE:** 100-1000 ft.lbs
- **WEIGHT:** 11 lbs.



Non Impacting



Safe & Reliable



According to European standards



LABORATORY ACCREDITATION BUREAU ACCREDITED ISO/IEC 17025

Accredited ISO/IEC 17025

ELECTRIC SERIES

Accessories

Swivelling tool handle & hanger

Prod. Nr.	Suitable for
19827	V-RAD SELECT 6, 14 & 1400
19825	V-RAD SELECT 2000
19823	V-RAD SELECT 31, 34 & 3400
26751	V-RAD SELECT 4000
19821	MV-RAD 45
26674	MV-RAD 45
19819	MV-RAD 80
22931	MV-RAD 110
19817	MV-RAD 120

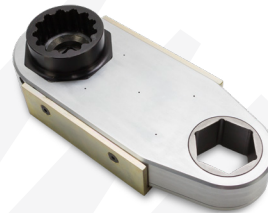


CX Offset Gearboxes

Prod. Nr.	Model	Max output	Ratio
27978	Hex 50 mm	3400 Nm	1:1
28540	Hex 65 mm	5000 Nm	1:1

Prod. Nr.	Suitable for	Gearbox
16155	V-RAD SELECT 1400	27978
26994	V-RAD SELECT 2000	27978
13034	V-RAD SELECT 4000	27978
28532	V-RAD SELECT 4000	28540

Hex reducer on request.



Impact Sockets

Prod. Nr.	Hex size	Square drive	Bolt size	Suitable for
200190	24MM	3/4"	M16	V-RAD SELECT 1400
200210	27MM	3/4"	M18	V-RAD SELECT 1400
200211	30MM	3/4"	M20	V-RAD SELECT 1400
200212	32MM	3/4"	M22	V-RAD SELECT 1400
200004	36MM	3/4"	M24	V-RAD SELECT 1400
200215	38MM	3/4"	M24	V-RAD SELECT 1400
200005	41MM	3/4"	M27	V-RAD SELECT 1400
200006	46MM	3/4"	M30	V-RAD SELECT 1400
200216	50MM	3/4"	M33	V-RAD SELECT 1400
200227	36MM	1"	M24	V-RAD SELECT 2000 & 4000
200229	41MM	1"	M27	V-RAD SELECT 2000 & 4000
200230	46MM	1"	M30	V-RAD SELECT 2000 & 4000
200007	50MM	1"	M33	V-RAD SELECT 2000 & 4000
200008	55MM	1"	M36	V-RAD SELECT 2000 & 4000
200009	60MM	1"	M39	V-RAD SELECT 4000



HX Offset Gearboxes

Prod. Nr.	Model
24404	HX Offset Gearbox - 55 mm AF
22541	HX Offset Gearbox - 65 mm AF
16550	HX Offset Gearbox - 80 mm AF

Other sizes HX Offset gearboxes are available on request.



Nose extension series

Prod. Nr.	Model	Reaction arm	Length
14195	V-RAD SELECT 1400	13512	324 mm
14200	V-RAD SELECT 1400	13512	400 mm
14205	V-RAD SELECT 1400	13512	476 mm
18185	V-RAD SELECT 2000	20153	349 mm
19058	V-RAD SELECT 2000	20153	400 mm
19059	V-RAD SELECT 2000	20153	476 mm
27641	V-RAD SELECT 4000	13484	305 mm
27643	V-RAD SELECT 4000	13484	381 mm
27651	V-RAD SELECT 4000	13484	457 mm



Non Impacting



Safe & Reliable



According to European standards



LABORATORY ACCREDITATION BUREAU ACCREDITED ISO/IEC 17025

Accredited ISO/IEC 17025