

# E-RAD BLU 15K

Part Number: 24224



**4.000 - 15.000 Nm\***

**MAX SPEED 2,3 RPM**

**SERVO CONTROLLED**

**DATA LOGGING**

**TORQUE + ANGLE FUNCTION**

**SMART SOCKET CONNECTIVITY**

## SPECIFICATIONS

- **TORQUE RANGE:** 4.000 - 15.000 Nm\*
- **SPEED:** 2,3 RPM
- **WEIGHT:** 20,0 Kg, excluding reaction arm and impact socket
- **SQUARE DRIVE:** 1½ or 2½ inch square drive
- **NOISE LEVEL:** Maximum 75 dB
- **PASSWORD PROTECTION:** Three user levels
- **LED INDICATOR LIGHTS:** Pass/Fail
- **REPEATABILITY ON SAME JOINT\*\*:** +/- 2%.

\* 15K Available upon request with 16.500 Nm and 2½" square drive  
\*\* Test results from certified calibration lab

## SUITABLE REACTION ARMS

**Standard**  
PN: 23776



**Deep socket**  
On request



**Double ended**  
PN: 26158



**Blank**  
PN: 26159



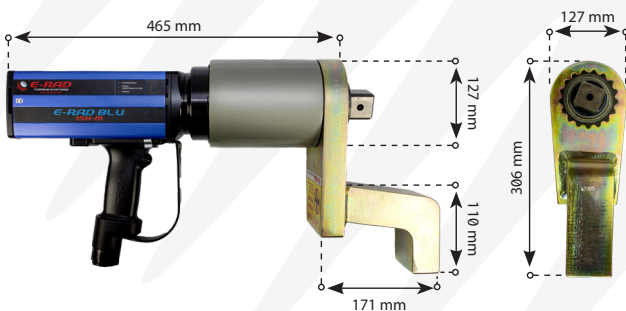
**Double ended blank**  
On request



**Safety sliding**  
On request



## DIMENSIONS IN MM



## TOOL KIT INCLUDING

- E-RAD BLU 15K
- Standard reaction arm (PN: 23776)
- Two retaining rings (PN: 18301)
- Control box 220V
- Controller cable 4,6 mtr
- Data logging software
- Calibration certificate
- Usermanual
- QR code for Safety instructions
- Weatherproof storage case.



## IMPERIAL VERSION

- **MODEL:** E-RAD BLU 11K
- **PART NUMBER:** 24234
- **TORQUE RANGE:** 3000 - 11000 ft/lbs
- **WEIGHT:** 43 lbs.



Non Impacting



Safe & Reliable



EX certification (Optional)



According to European standards



**LABORATORY ACCREDITATION BUREAU**  
ACCREDITED ISO/IEC 17025  
Accredited ISO/IEC 17025

# ELECTRIC SERIES

## Accessories

### Swivelling tool handle & hanger

Prod. Nr.	Suitable for
19827	E-RAD BLU 950
19825	E-RAD BLU 2000
19823	E-RAD BLU 3400
19821	E-RAD BLU 4000
19819	E-RAD BLU 8000
22931	E-RAD BLU 10K
26634	E-RAD BLU 15K



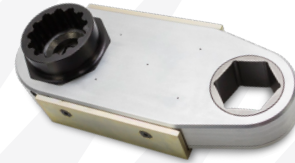
### CX Offset Gearboxes

Prod. Nr.	Gearbox
27978	Hex 50 mm
28540	Hex 65 mm

Prod. Nr.	Suitable for	Gearbox
16155	E-RAD BLU 950	27978
26994	E-RAD BLU 2000	27978
13034	E-RAD BLU 3400	27978
28532	E-RAD BLU 3400	28540
27853	E-RAD BLU 4000	27978
28531	E-RAD BLU 4000	28540

Hex reducer on request.



### Impact Sockets

Prod. Nr.	Hex size	Square drive	Bolt size	Suitable for
200189	22MM	3/4"	M14	E-RAD BLU 950
200190	24MM	3/4"	M16	E-RAD BLU 950
200210	27MM	3/4"	M18	E-RAD BLU 950
200211	30MM	3/4"	M20	E-RAD BLU 950
200212	32MM	3/4"	M22	E-RAD BLU 950
200004	36MM	3/4"	M24	E-RAD BLU 950
200215	38MM	3/4"	M24	E-RAD BLU 950
200005	41MM	3/4"	M27	E-RAD BLU 950
200227	36MM	1"	M24	E-RAD BLU 2000, 3400 & 4000
200229	41MM	1"	M27	E-RAD BLU 2000, 3400 & 4000
200230	46MM	1"	M30	E-RAD BLU 2000, 3400 & 4000
200007	50MM	1"	M33	E-RAD BLU 2000, 3400 & 4000
200008	55MM	1"	M36	E-RAD BLU 2000, 3400 & 4000
200009	60MM	1"	M39	E-RAD BLU 3400 & 4000
200238	55MM	1 1/2"	M36	E-RAD BLU 8000
200297	60MM	1 1/2"	M39	E-RAD BLU 8000 & 10K
300052	70MM	1 1/2"	M45	E-RAD BLU 8000, 10K & 15K
200197	75MM	1 1/2"	M48	E-RAD BLU 8000, 10K & 15K
200241	80MM	1 1/2"	M49	E-RAD BLU 8000, 10K & 15K
200298	90MM	1 1/2"	M52	E-RAD BLU 10K & 15K
200435	80MM	2 1/2"	M52	E-RAD BLU 15K
200247	90MM	2 1/2"	M52	E-RAD BLU 15K
200437	100MM	2 1/2"	M52	E-RAD BLU 15K
200438	110MM	2 1/2"	M52	E-RAD BLU 15K



### Nose extension series

Prod. Nr.	Gearbox	Length
14195	E-RAD BLU 950	324 mm
14200	E-RAD BLU 950	400 mm
14205	E-RAD BLU 950	476 mm
18185	E-RAD BLU 2000	349 mm
19058	E-RAD BLU 2000	400 mm
19059	E-RAD BLU 2000	476 mm
12096	E-RAD BLU 3400	330 mm
12061	E-RAD BLU 3400	406 mm
12097	E-RAD BLU 3400	470 mm
11750	E-RAD BLU 4000	318 mm
11751	E-RAD BLU 4000	394 mm
11752	E-RAD BLU 4000	470 mm



### E-RAD Two Handed Safety Button

Prod. Nr.	Model
28797	E-RAD 950, 2000, & 3400
28795	E-RAD 4000, 8000, 10K & 15K



### Trigger guard for E-RAD

Prod. Nr.	Model
21889	E-RAD safety trigger guard

