

E-RAD BLU 10K

Part Number: 21989



2.000 - 10.000 Nm
MAX SPEED 3,0 RPM
SERVO CONTROLLED
DATA LOGGING
TORQUE + ANGLE FUNCTION
SMART SOCKET CONNECTIVITY

SPECIFICATIONS

- **TORQUE RANGE:** 2.000 - 10.000 Nm
- **SPEED:** 3,0 RPM
- **WEIGHT:** 15,0 Kg, excluding reaction arm and impact socket
- **SQUARE DRIVE:** 1½ inch square drive
- **NOISE LEVEL:** Maximum 75 dB
- **PASSWORD PROTECTION:** Three user levels
- **LED INDICATOR LIGHTS:** Pass/Fail
- **REPEATABILITY ON SAME JOINT*:** +/- 2%.

* Test results from certified calibration lab

SUITABLE REACTION ARMS

Standard
PN: 23144



Deep socket
PN: 13508



Double ended
PN: 13509



Blank
PN: 13505



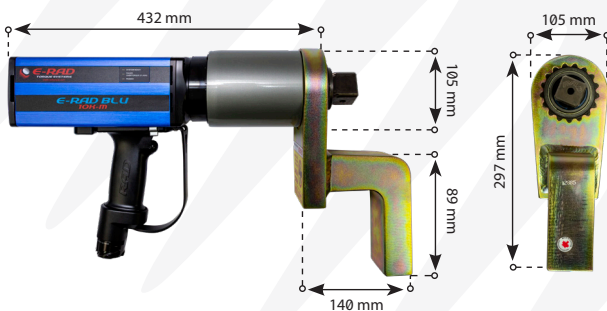
Double ended blank
PN: 13506



Safety sliding
On request



DIMENSIONS IN MM



TOOL KIT INCLUDING

- E-RAD BLU 10K
- Standard reaction arm (PN: 23144)
- Two retaining rings (PN: 11930)
- Control box 220V
- Controller cable 4,5 mtr
- Data logging software
- Calibration certificate
- Usermanual
- QR code for Safety instructions
- Weatherproof storage case.



IMPERIAL VERSION

- **MODEL:** E-RAD BLU 7500
- **PART NUMBER:** 21984
- **TORQUE RANGE:** 1500 - 7500 ft/lbs
- **WEIGHT:** 33 lbs.



Non Impacting



Safe & Reliable



EX certification (Optional)



According to European standards



LABORATORY ACCREDITATION BUREAU
ACCREDITED ISO/IEC 17025

Accredited ISO/IEC 17025

ELECTRIC SERIES

Accessories

Swivelling tool handle & hanger

Prod. Nr.	Suitable for
19827	E-RAD BLU 950
19825	E-RAD BLU 2000
19823	E-RAD BLU 3400
19821	E-RAD BLU 4000
19819	E-RAD BLU 8000
22931	E-RAD BLU 10K
26634	E-RAD BLU 15K

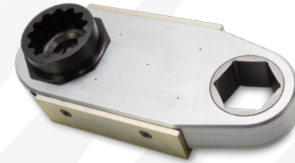


CX Offset Gearboxes

Prod. Nr.	Gearbox
27978	Hex 50 mm
28540	Hex 65 mm

Prod. Nr.	Suitable for	Gearbox
16155	E-RAD BLU 950	27978
26994	E-RAD BLU 2000	27978
13034	E-RAD BLU 3400	27978
28532	E-RAD BLU 3400	28540
27853	E-RAD BLU 4000	27978
28531	E-RAD BLU 4000	28540

Hex reducer on request.



Impact Sockets

Prod. Nr.	Hex size	Square drive	Bolt size	Suitable for
200189	22MM	3/4"	M14	E-RAD BLU 950
200190	24MM	3/4"	M16	E-RAD BLU 950
200210	27MM	3/4"	M18	E-RAD BLU 950
200211	30MM	3/4"	M20	E-RAD BLU 950
200212	32MM	3/4"	M22	E-RAD BLU 950
200004	36MM	3/4"	M24	E-RAD BLU 950
200215	38MM	3/4"	M24	E-RAD BLU 950
200005	41MM	3/4"	M27	E-RAD BLU 950
200227	36MM	1"	M24	E-RAD BLU 2000, 3400 & 4000
200229	41MM	1"	M27	E-RAD BLU 2000, 3400 & 4000
200230	46MM	1"	M30	E-RAD BLU 2000, 3400 & 4000
200007	50MM	1"	M33	E-RAD BLU 2000, 3400 & 4000
200008	55MM	1"	M36	E-RAD BLU 2000, 3400 & 4000
200009	60MM	1"	M39	E-RAD BLU 3400 & 4000
200238	55MM	1 1/2"	M36	E-RAD BLU 8000
200297	60MM	1 1/2"	M39	E-RAD BLU 8000 & 10K
300052	70MM	1 1/2"	M45	E-RAD BLU 8000, 10K & 15K
200197	75MM	1 1/2"	M48	E-RAD BLU 8000, 10K & 15K
200241	80MM	1 1/2"	M49	E-RAD BLU 8000, 10K & 15K
200298	90MM	1 1/2"	M52	E-RAD BLU 10K & 15K
200435	80MM	2 1/2"	M52	E-RAD BLU 15K
200247	90MM	2 1/2"	M52	E-RAD BLU 15K
200437	100MM	2 1/2"	M52	E-RAD BLU 15K
200438	110MM	2 1/2"	M52	E-RAD BLU 15K



Nose extension series

Prod. Nr.	Gearbox	Length
14195	E-RAD BLU 950	324 mm
14200	E-RAD BLU 950	400 mm
14205	E-RAD BLU 950	476 mm
18185	E-RAD BLU 2000	349 mm
19058	E-RAD BLU 2000	400 mm
19059	E-RAD BLU 2000	476 mm
12096	E-RAD BLU 3400	330 mm
12061	E-RAD BLU 3400	406 mm
12097	E-RAD BLU 3400	470 mm
11750	E-RAD BLU 4000	318 mm
11751	E-RAD BLU 4000	394 mm
11752	E-RAD BLU 4000	470 mm



E-RAD Two Handed Safety Button

Prod. Nr.	Model
28797	E-RAD 950, 2000, & 3400
28795	E-RAD 4000, 8000, 10K & 15K



Trigger guard for E-RAD

Prod. Nr.	Model
21889	E-RAD safety trigger guard

