

# MV-RAD 40

Part Number: 200469



**600 - 4.000 Nm**

**MAX SPEED 2,7 RPM**

**MAINTENANCE COUNTER**

**DIGITAL TORQUE SETTING**

**TORQUE + ANGLE FUNCTION**

**TORQUE CHECK FUNCTION**

**OPTION**

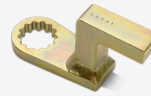
## SPECIFICATIONS

- **TORQUE RANGE:** 600 - 4.000 Nm
- **SPEED:** 2,7 RPM
- **WEIGHT:** 6,2 Kg, excluding reaction arm and socket
- **SQUARE DRIVE:** 1 inch square drive
- **NOISE LEVEL:** maximum 80 dB
- **TORQUE SETTING:** 1 Nm incremental or 200 torque settings
- **PRESETS:** 8 programmable presets
- **INTELLIGENT COUNTER:** maintenance counter
- **REPEATABILITY ON SAME JOINT\*:** +/- 3%.

\* Test results from certified calibration lab

## SUITABLE REACTION ARMS

**Standard**  
PN: 27022



**Deep socket**  
PN: 24814



**Double ended**  
PN: 25437



**Blank**  
PN: 24813



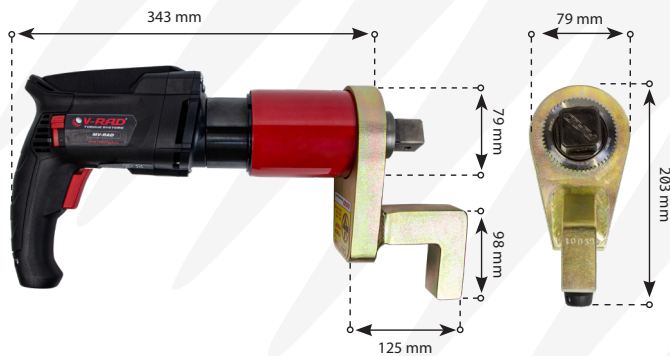
**Double ended blank**  
PN: 25016



**Safety sliding**  
PN: 29430



## DIMENSIONS IN MM



## TOOL KIT INCLUDING

- MV-RAD 40
- Standard reaction arm (PN: 27022)
- Two retaining rings (PN: 11350)
- Calibration certificate
- Usermanual
- QR code for Safety instructions
- Weatherproof storage case.



## ACCESSORIES

Product	Part number
120V version (option)	17303



Non Impacting



Safe & Reliable



According to European standards



**LABORATORY ACCREDITATION BUREAU**  
ACCREDITED ISO/IEC 17025

Accredited ISO/IEC 17025

# ELECTRIC SERIES

## Accessories

### Impact Sockets

Prod. Nr.	Hex size	Square drive	Bolt size	Suitable for
200190	24MM	3/4"	M16	MV-RAD 14(-90°)
200210	27MM	3/4"	M18	MV-RAD 14(-90°)
200211	30MM	3/4"	M20	MV-RAD 14(-90°)
200212	32MM	3/4"	M22	MV-RAD 14(-90°)
200004	36MM	3/4"	M24	MV-RAD 14(-90°)
200215	38MM	3/4"	M24	MV-RAD 14(-90°)
200005	41MM	3/4"	M27	MV-RAD 14(-90°)
200006	46MM	3/4"	M30	MV-RAD 14(-90°)
200216	50MM	3/4"	M33	MV-RAD 14(-90°)
200227	36MM	1"	M24	MV-RAD 20 & 40
200229	41MM	1"	M27	MV-RAD 20 & 40
200230	46MM	1"	M30	MV-RAD 20 & 40
200007	50MM	1"	M33	MV-RAD 20 & 40
200008	55MM	1"	M36	MV-RAD 20 & 40
200009	60MM	1"	M39	MV-RAD 40



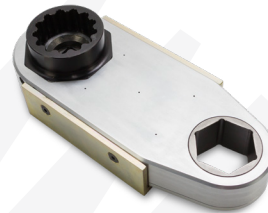
### CX Offset Gearboxes

Prod. Nr.	Gearbox
27978	Hex 50 mm
28540	Hex 65 mm

Prod. Nr.	Suitable for	Gearbox
16155	MV-RAD 14	27978
26994	MV-RAD 20	27978
13034	MV-RAD 34-90°	27978
28532	MV-RAD 34-90°	28540

Hex reducer on request.



### Nose extension series

Prod. Nr.	Gearbox	Length
14195	MV-RAD 14(-90°)	324 mm
14200	MV-RAD 14(-90°)	400 mm
14205	MV-RAD 14(-90°)	476 mm
18185	MV-RAD 20	349 mm
19058	MV-RAD 20	400 mm
19059	MV-RAD 20	476 mm
12096	MV-RAD 34-90°	330 mm
12061	MV-RAD 34-90°	406 mm
12097	MV-RAD 34-90°	470 mm
11750	MV-RAD 40	318 mm
11751	MV-RAD 40	394 mm
11752	MV-RAD 40	470 mm



Non Impacting



Safe & Reliable



According to European standards



LABORATORY ACCREDITATION BUREAU ACCREDITED ISO/IEC 17025

Accredited ISO/IEC 17025