

MV-RAD 110

Part Number: 200395



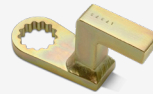
- 2.100 - 11.000 Nm**
 - MAX SPEED 1,0 RPM**
 - MAINTENANCE COUNTER**
 - DIGITAL TORQUE SETTING**
 - TORQUE + ANGLE FUNCTION**
 - TORQUE CHECK FUNCTION**
- OPTION**

SPECIFICATIONS

- TORQUE RANGE:** 2.100 - 11.000 Nm
 - SPEED:** 1,0 RPM
 - WEIGHT:** 13,1 Kg, excluding reaction arm and socket
 - SQUARE DRIVE:** 1½ inch square drive
 - NOISE LEVEL:** maximum 80 dB
 - TORQUE SETTING:** 1 Nm incremental or 200 torque settings
 - PRESETS:** 8 programmable presets
 - INTELLIGENT COUNTER:** maintenance counter
 - REPEATABILITY ON SAME JOINT*:** +/- 3%.
- * Test results from certified calibration lab

SUITABLE REACTION ARMS

Standard
PN: 23144



Deep socket
PN: 13508



Double ended
PN: 13509



Blank
PN: 13505



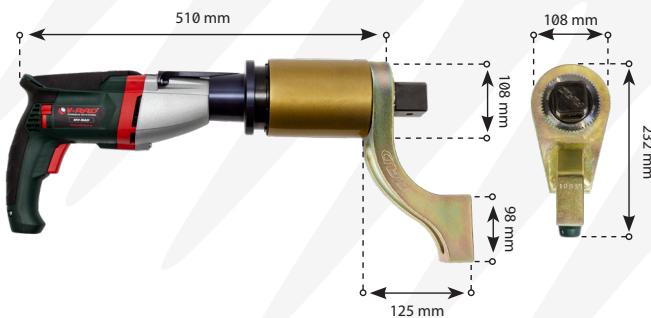
Double ended blank
On request



Safety sliding
n/a



DIMENSIONS IN MM



TOOL KIT INCLUDING

- MV-RAD 110
- Standard reaction arm (PN: 23144)
- Two retaining rings (PN: 11930)
- Calibration certificate
- Usermanual
- QR code for Safety instructions
- Weatherproof storage case.



ACCESSORIES

Product

Part number

120V version (option)

17303



Non Impacting



Safe & Reliable



According to European standards



LABORATORY ACCREDITATION BUREAU
ACCREDITED ISO/IEC 17025

Accredited ISO/IEC 17025

ELECTRIC SERIES

Accessories

Impact Sockets

Prod. Nr.	Hex size	Square drive	Bolt size	Suitable for
200190	24MM	3/4"	M16	MV-RAD 14(-90°)
200210	27MM	3/4"	M18	MV-RAD 14(-90°)
200211	30MM	3/4"	M20	MV-RAD 14(-90°)
200212	32MM	3/4"	M22	MV-RAD 14(-90°)
200004	36MM	3/4"	M24	MV-RAD 14(-90°)
200215	38MM	3/4"	M24	MV-RAD 14(-90°)
200005	41MM	3/4"	M27	MV-RAD 14(-90°)
200006	46MM	3/4"	M30	MV-RAD 14(-90°)
200216	50MM	3/4"	M33	MV-RAD 14(-90°)
200227	36MM	1"	M24	MV-RAD 20 & 40
200229	41MM	1"	M27	MV-RAD 20 & 40
200230	46MM	1"	M30	MV-RAD 20 & 40
200007	50MM	1"	M33	MV-RAD 20 & 40
200008	55MM	1"	M36	MV-RAD 20 & 40
200009	60MM	1"	M39	MV-RAD 40

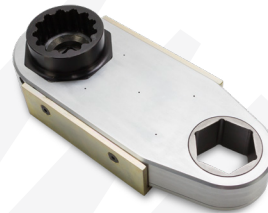


CX Offset Gearboxes

Prod. Nr.	Gearbox
27978	Hex 50 mm
28540	Hex 65 mm

Prod. Nr.	Suitable for	Gearbox
16155	MV-RAD 14	27978
26994	MV-RAD 20	27978
13034	MV-RAD 34-90°	27978
28532	MV-RAD 34-90°	28540

Hex reducer on request.



Nose extension series

Prod. Nr.	Gearbox	Length
14195	MV-RAD 14(-90°)	324 mm
14200	MV-RAD 14(-90°)	400 mm
14205	MV-RAD 14(-90°)	476 mm
18185	MV-RAD 20	349 mm
19058	MV-RAD 20	400 mm
19059	MV-RAD 20	476 mm
12096	MV-RAD 34-90°	330 mm
12061	MV-RAD 34-90°	406 mm
12097	MV-RAD 34-90°	470 mm
11750	MV-RAD 40	318 mm
11751	MV-RAD 40	394 mm
11752	MV-RAD 40	470 mm



Non Impacting



Safe & Reliable



According to European standards



LABORATORY ACCREDITATION BUREAU
ACCREDITED ISO/IEC 17025

Accredited ISO/IEC 17025