

MV-RAD 80

Part Number: 200286



1.200 - 8.000 Nm
MAX SPEED 1,5 RPM
MAINTENANCE COUNTER
DIGITAL TORQUE SETTING
TORQUE + ANGLE FUNCTION
TORQUE CHECK FUNCTION
OPTION

SPECIFICATIONS

- **TORQUE RANGE:** 1.200 - 8.000 Nm
- **SPEED:** 1,5 RPM
- **WEIGHT:** 11,3 Kg, excluding reaction arm and socket
- **SQUARE DRIVE:** 1,5 inch square drive
- **NOISE LEVEL:** Maximum 80 dB
- **TORQUE SETTING:** 1 Nm incremental or 200 torque settings
- **PRESETS:** 8 programmable presets
- **INTELLIGENT COUNTER:** maintenance counter
- **REPEATABILITY ON SAME JOINT*:** +/- 3,5%.

* Test results from certified calibration lab

SUITABLE REACTION ARMS

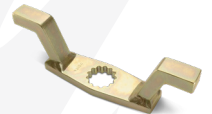
Standard
PN: 15840



Deep socket
PN: 15788



Double ended
PN: 15790



Blank
PN: 15373



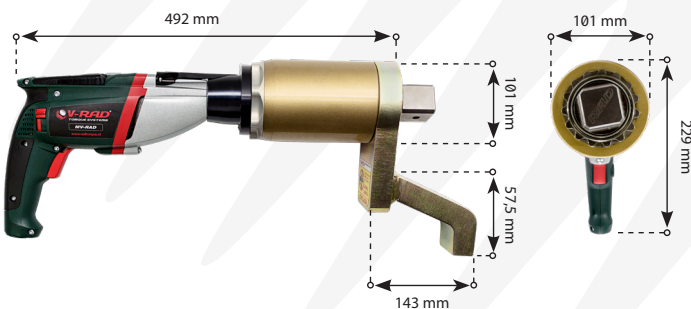
Double ended blank
PN: 15789



Safety sliding
On request



DIMENSIONS IN MM



TOOL KIT INCLUDING

- MV-RAD 80
- Standard reaction arm (PN: 15840)
- Two retaining rings (PN: 15367)
- Calibration certificate
- Usermanual
- QR code for Safety instructions
- Weatherproof storage case.



ACCESSORIES

| Product | Part number |
|-----------------------|-------------|
| 120V version (option) | 17303 |



Non Impacting



Safe & Reliable



According to European standards



LABORATORY ACCREDITATION BUREAU
ACCREDITED ISO/IEC 17025

Accredited ISO/IEC 17025

ELECTRIC SERIES

Accessories

Impact Sockets

| Prod. Nr. | Hex size | Square drive | Bolt size | Suitable for |
|-----------|----------|--------------|-----------|-----------------|
| 200190 | 24MM | 3/4" | M16 | MV-RAD 14(-90°) |
| 200210 | 27MM | 3/4" | M18 | MV-RAD 14(-90°) |
| 200211 | 30MM | 3/4" | M20 | MV-RAD 14(-90°) |
| 200212 | 32MM | 3/4" | M22 | MV-RAD 14(-90°) |
| 200004 | 36MM | 3/4" | M24 | MV-RAD 14(-90°) |
| 200215 | 38MM | 3/4" | M24 | MV-RAD 14(-90°) |
| 200005 | 41MM | 3/4" | M27 | MV-RAD 14(-90°) |
| 200006 | 46MM | 3/4" | M30 | MV-RAD 14(-90°) |
| 200216 | 50MM | 3/4" | M33 | MV-RAD 14(-90°) |
| 200227 | 36MM | 1" | M24 | MV-RAD 20 & 40 |
| 200229 | 41MM | 1" | M27 | MV-RAD 20 & 40 |
| 200230 | 46MM | 1" | M30 | MV-RAD 20 & 40 |
| 200007 | 50MM | 1" | M33 | MV-RAD 20 & 40 |
| 200008 | 55MM | 1" | M36 | MV-RAD 20 & 40 |
| 200009 | 60MM | 1" | M39 | MV-RAD 40 |

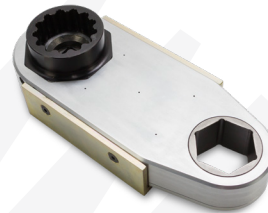


CX Offset Gearboxes

| Prod. Nr. | Gearbox |
|-----------|-----------|
| 27978 | Hex 50 mm |
| 28540 | Hex 65 mm |

| Prod. Nr. | Suitable for | Gearbox |
|-----------|---------------|---------|
| 16155 | MV-RAD 14 | 27978 |
| 26994 | MV-RAD 20 | 27978 |
| 13034 | MV-RAD 34-90° | 27978 |
| 28532 | MV-RAD 34-90° | 28540 |

Hex reducer on request.



Nose extension series

| Prod. Nr. | Gearbox | Length |
|-----------|-----------------|--------|
| 14195 | MV-RAD 14(-90°) | 324 mm |
| 14200 | MV-RAD 14(-90°) | 400 mm |
| 14205 | MV-RAD 14(-90°) | 476 mm |
| 18185 | MV-RAD 20 | 349 mm |
| 19058 | MV-RAD 20 | 400 mm |
| 19059 | MV-RAD 20 | 476 mm |
| 12096 | MV-RAD 34-90° | 330 mm |
| 12061 | MV-RAD 34-90° | 406 mm |
| 12097 | MV-RAD 34-90° | 470 mm |
| 11750 | MV-RAD 40 | 318 mm |
| 11751 | MV-RAD 40 | 394 mm |
| 11752 | MV-RAD 40 | 470 mm |



Non Impacting



Safe & Reliable



According to European standards



LABORATORY ACCREDITATION BUREAU ACCREDITED ISO/IEC 17025

Accredited ISO/IEC 17025