



450 - 4.500 Nm

MAX SPEED 3 RPM

MAINTENANCE COUNTER

DIGITAL TORQUE SETTING

TORQUE + ANGLE FUNCTION

TORQUE CHECK FUNCTION

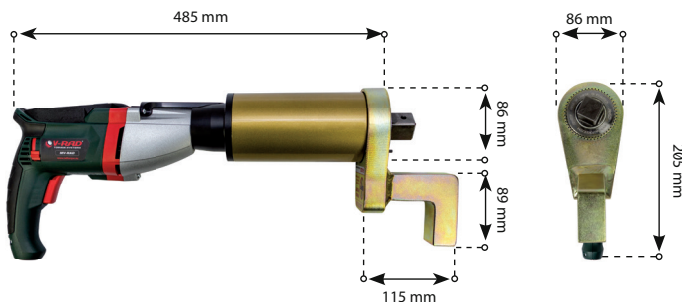
OPTION

SPECIFICATIONS

- **TORQUE RANGE:** 450 - 4.500 Nm
- **SPEED:** 3 RPM
- **WEIGHT:** 8,8 Kg, excluding reaction arm and socket
- **SQUARE DRIVE:** 1 inch square drive (replaceable)
- **NOISE LEVEL:** Maximum 80 dB
- **TORQUE SETTING:** 1 Nm incremental or 200 torque settings
- **PRESETS:** 8 programmable presets
- **INTELLIGENT COUNTER:** maintenance counter
- **REPEATABILITY ON SAME JOINT*:** +/- 3%.

* Test results from certified calibration lab

DIMENSIONS IN MM



SUITABLE REACTION ARMS

Standard	Deep socket	Double ended
PN: 17748	PN: 11534	PN: 11533
Blank	Double ended blank	Safety sliding
PN: 11530	PN: 11532	PN: 21377

TOOL KIT INCLUDING

- MV-RAD 45
- Standard reaction arm (PN: 17748)
- Two retaining rings (PN: 10032)
- Calibration certificate
- Usermanual
- Safety instructions on USB stick
- Weatherproof storage case.



ACCESSOIRES

Product	Part number
120V version (option)	17303



Non Impacting



Safe & Reliable



Torque + angle function



According to European standards



Accredited ISO/IEC 17025

Impact Sockets

Product number	Hex size	Square drive	Bolt size	Suitable for
200190	24MM	3/4"	M16	(M)V-RAD (SELECT) 1400
200210	27MM	3/4"	M18	(M)V-RAD (SELECT) 1400
200211	30MM	3/4"	M20	(M)V-RAD (SELECT) 1400
200212	32MM	3/4"	M22	(M)V-RAD (SELECT) 1400
200004	36MM	3/4"	M24	(M)V-RAD (SELECT) 1400
200215	38MM	3/4"	M24	(M)V-RAD (SELECT) 1400
200005	41MM	3/4"	M27	(M)V-RAD (SELECT) 1400
200006	46MM	3/4"	M30	(M)V-RAD (SELECT) 1400
200216	50MM	3/4"	M33	(M)V-RAD (SELECT) 1400
200227	36MM	1"	M24	(M)V-RAD (SELECT) 2000 & 4000
200229	41MM	1"	M27	(M)V-RAD (SELECT) 2000 & 4000
200230	46MM	1"	M30	(M)V-RAD (SELECT) 2000 & 4000
200007	50MM	1"	M33	(M)V-RAD (SELECT) 2000 & 4000
200008	55MM	1"	M36	(M)V-RAD (SELECT) 2000 & 4000
200009	60MM	1"	M39	(M)V-RAD (SELECT) 4000

