



**1.400 - 4.600 Nm**

**MAX SPEED 12 RPM**

**LIGHTWEIGHT FRL UNIT**

**HIGH POWER / WEIGHT RATIO**

**DOUBLE SAFETY TRIGGER**

**OPTION**

## SPECIFICATIONS

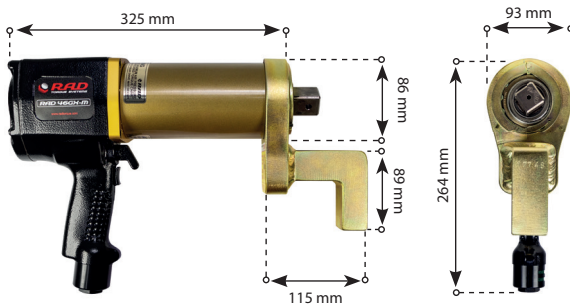
- **TORQUE RANGE:** 1.400 - 4.600 Nm
- **SPEED:** 12 RPM
- **WEIGHT:** 9,0 Kg, excluding reaction arm and impact socket
- **SQUARE DRIVE:** 1 or 1,5 inch square drive (replaceable)
- **NOISE LEVEL:** 80 dB
- **REPEATABILITY ON SAME JOINT\*:** +/- 3%.

\* Test results from RAD's certified calibration lab

## SUITABLE REACTION ARMS

Standard	Deep socket	Double ended
PN: 17748	PN: 11534	PN: 11533
Blank	Double ended blank	Safety sliding
PN: 11530	PN: 11532	PN: 25990

## DIMENSIONS IN MM



## TOOL KIT INCLUDING

- 46 GX
- Standard reaction arm (PN: 17748)
- Two retaining rings (PN: 11350)
- Flow Regulation Lubrication unit 2 Kg
- Airmotor oil for the FRL unit
- 3.6 meter hose
- Storage case
- User manual
- Calibration certificate
- Safety instruction on USB stick.



## IMPERIAL VERSION

- **MODEL:** 34 GX
- **PART NUMBER:** 12356
- **TORQUE RANGE:** 1000 - 3400 ft/lbs
- **WEIGHT:** 20 lbs.



Non Impacting



Safe & Reliable



EX certification (Optional)



According to European standards



LABORATORY ACCREDITATION BUREAU  
ACCREDITED ISO/IEC 17025  
Accredited ISO/IEC 17025

### Swivelling tool handle & hanger

Product number	Suitable for
19827	RAD 475 SL, 10 & 14 GX
19825	RAD 20 DX
19823	RAD 34 GX
26751	RAD 40 DX
19821	RAD 46 GX
26674	RAD 70 DX
19819	RAD 80 DX
22931	RAD 110 DX
19817	RAD 115 GX
26634	RAD 150 DX



### Double Safety trigger

Product number	Model
200142	100 SL, 275 SL, 475 SL(-2), 10 GX, 14 GX(-2), 20 DX(-2)
200143	34 GX(-2), 40 DX(-2)
200144	46 GX, 80 DX, 110 DX, 150 DX



### Impact Sockets

Product number	Hex size	Square drive	Bolt size	Suitable for
200187	17MM	3/4	M10	100 SL, 275 SL
200219	19MM	3/4	M12	100 SL, 275 SL & 475 SL(-2)
200189	22MM	3/4	M14	100 SL, 275 SL & 475 SL(-2)
200190	24MM	3/4	M16	100 SL, 275 SL, 475 SL(-2), 10 GX & 14 GX(-2)
200210	27MM	3/4	M18	275 SL, 475 SL, 10 GX & 14 GX(-2)
200211	30MM	3/4	M20	475 SL(-2), 10 GX & 14 GX(-2)
200212	32MM	3/4	M22	475 SL(-2), 10 GX & 14 GX(-2)
200004	36MM	3/4	M24	10 GX & 14 GX(-2)
200215	38MM	3/4	M24	10 GX & 14 GX(-2)
200005	41MM	3/4	M27	10 GX & 14 GX(-2)
200006	46MM	3/4	M30	14 GX(-2)
200216	50MM	3/4	M33	14 GX(-2)
200227	36MM	1	M24	20 DX(-2), 34GX(-2) & 40 DX(-2)
200229	41MM	1	M27	20 DX(-2), 34GX(-2) & 40 DX(-2)
200230	46MM	1	M30	20 DX(-2), 34GX(-2) & 40 DX(-2)
200007	50MM	1	M33	20 DX(-2), 34GX(-2) & 40 DX(-2)
200008	55MM	1	M36	20 DX(-2), 34GX(-2) & 40 DX(-2)
200009	60MM	1	M39	34GX(-2), 40 DX(-2) & 46 GX
200231	70MM	1	M45	46 GX
200237	50MM	1,5	M33	70 DX
200238	55MM	1,5	M36	70 DX & 80 DX
200297	60MM	1,5	M39	70 DX, 80 DX & 110 DX
300052	70MM	1,5	M45	70 DX, 80 DX, 110 DX & 150 DX
200197	75MM	1,5	M48	70 DX, 80 DX, 110 DX & 150 DX
200241	80MM	1,5	M49	70 DX, 80 DX, 110 DX & 150 DX
200298	90MM	1,5	M52	70 DX, 80 DX, 110 DX & 150 DX
300053	100MM	1,5	M68	80 DX, 110 DX & 150 DX
200209	110MM	1,5	M72	110 DX & 150 DX

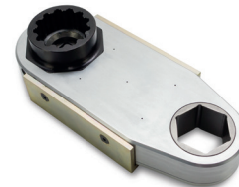


### CX Offset Gearboxes

Product number	Model	Max output	Ratio
27978	Hex 50 mm	3400 Nm	1:1
28540	Hex 65 mm	5000 Nm	1:1

Product number	Suitable for	Gearbox
11537	RAD 100 SL, 275 SL & 475 SL	27978
16155	RAD 10 GX & 14 GX	27978
26994	RAD 20 GX(-2)	27978
13034	RAD 34 GX(-2)	27978
27853	RAD 40 DX(-2)	27978
28532	RAD 34 GX(-2)	28540
28531	RAD 40 DX(-2)	28540

Hex reducer on request.



### HX Offset Gearboxes

Product number	Model
24404	HX Offset Gearbox - 55 mm AF
22541	HX Offset Gearbox - 65 mm AF
16550	HX Offset Gearbox - 80 mm AF

Other sizes HX Offset gearboxes are available on request.



### Nose extension series

Product number	Model	Reaction arm	Length
14195	14 GX(-2)	11842	324 mm
14200	14 GX(-2)	11842	400 mm
14205	14 GX(-2)	11842	476 mm
18185	20 DX(-2)	19772	349 mm
19058	20 DX(-2)	19772	400 mm
19059	20 DX(-2)	19772	476 mm
12096	34 GX(-2)	N/A	330 mm
12061	34 GX(-2)	N/A	406 mm
12097	34 GX(-2)	N/A	470 mm
27641	40 DX(-2)	13515	305 mm
27643	40 DX(-2)	13515	381 mm
27651	40 DX(-2)	13515	457 mm
11750	46 GX(-2)	N/A	318 mm
11751	46 GX(-2)	N/A	394 mm
11752	46 GX(-2)	N/A	470 mm



### ATEX

Product number	Model
3000105	ATEX

